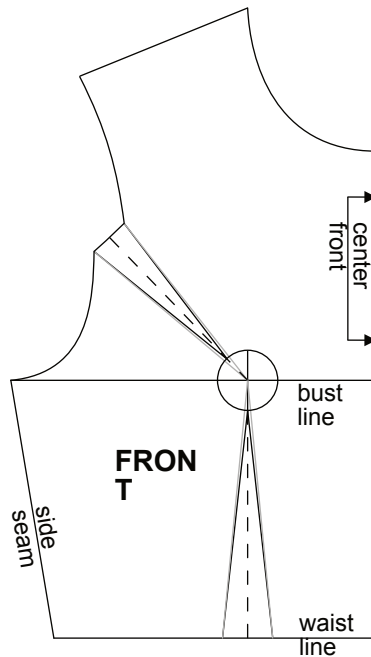
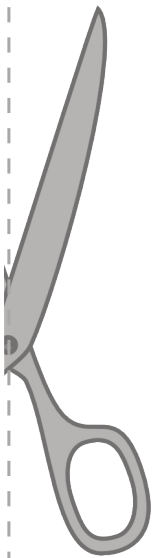


ANICKA.DESIGN

REFERENCE SET

# QUARTER-SCALE BASIC BLOCKS



**basic skirt • basic bodice • basic sleeve  
basic pants**

[www.anicka.design](http://www.anicka.design)

# Quarter-scale basic blocks

Thank you for downloading this sheet from [anicka.design](http://anicka.design).

These quarter-scale basic blocks are exact pattern shapes reduced to one quarter of full size patterns. They're designed to help you test pattern ideas quickly, explore modifications safely, and save time and materials before working with full-size patterns.

## Use this sheet to:

- Experiment with design details: add gathers, flounces, pivot or move darts, and explore style lines.
- Test ideas safely and efficiently: try changes before committing to full-size paper or fabric.
- Save time and resources: avoid unnecessary printing, assembling, cutting, and modifying of full-size patterns.

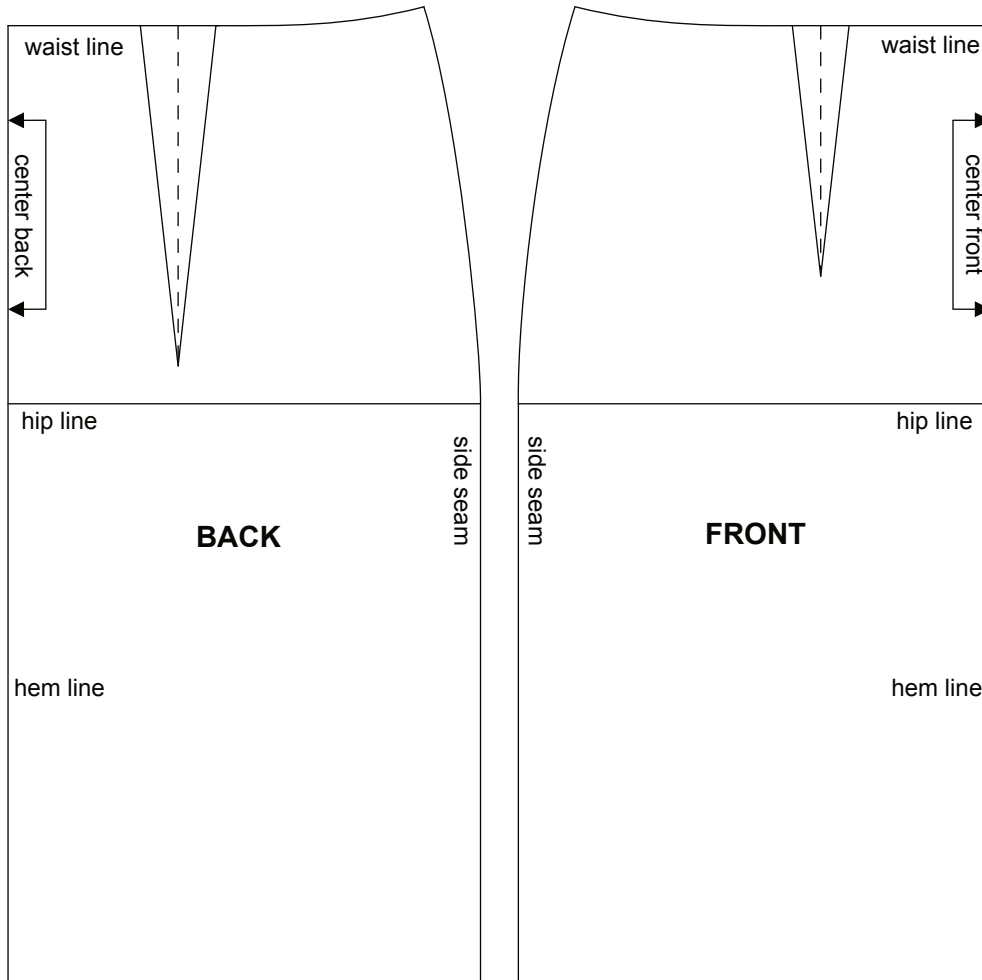
Tip: Use this sheet as a thinking and experimentation tool. A simple way to explore pattern modifications clearly, safely, and efficiently.

These blocks are not for:

- Sewing garments directly.
- Replacing full-scale patterns or tutorials.
- Producing finished clothing.

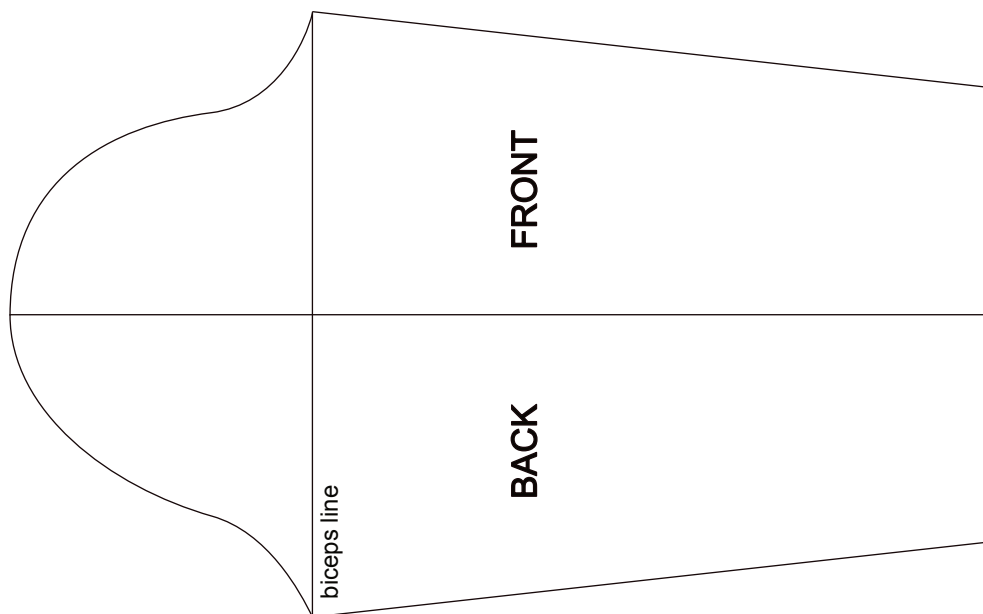
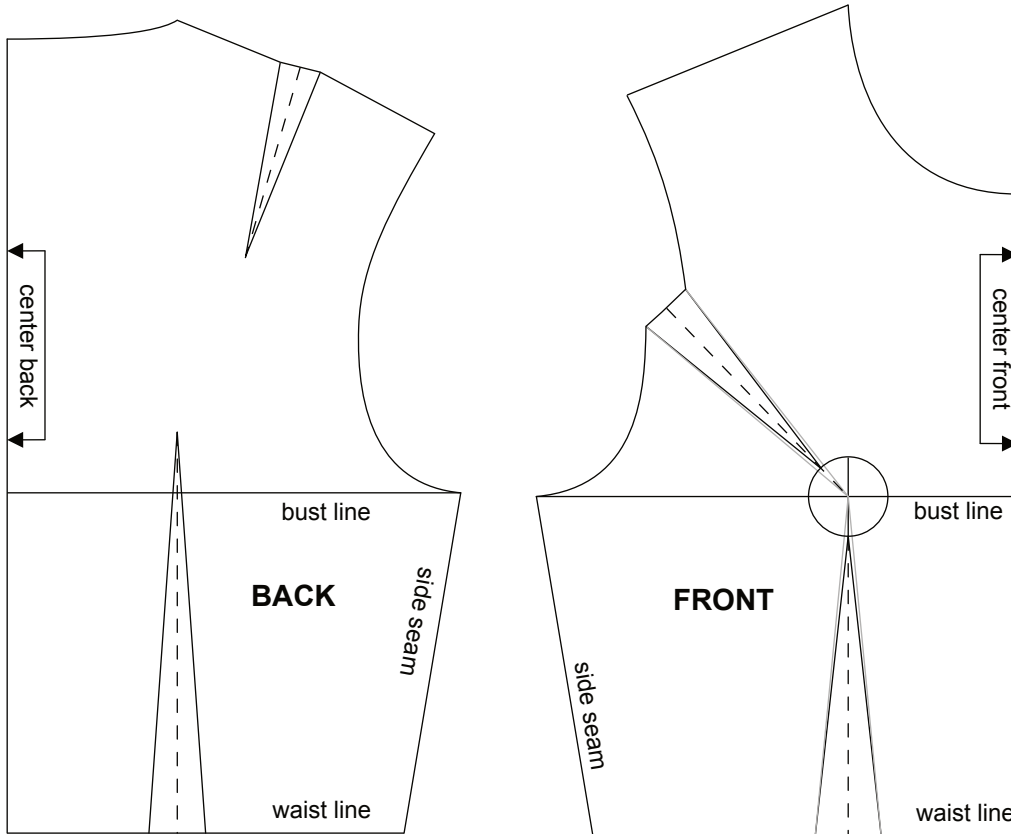


The printable quarter-scale blocks are on **page 3 and 4**.



Draft your custom-fit basic skirt  
<https://anicka.design/how-to-draft-basic-skirt-pattern/>





**Draft your custom-fit bodice block**  
<https://anicka.design/how-to-draft-a-basic-bodice-block-pattern>



**Draft your custom-fit sleeve**  
<https://anicka.design/how-to-draft-a-basic-sleeve-pattern>



## Other tutorials to explore

There are more pattern pieces you can draft yourself using your own measurements. Check out the links below.



### **Basic pants block**

Step-by-step interactive tutorial for drafting a basic pants block, customised to your measurements.

<https://anicka.design/how-to-draft-a-basic-pants-pattern-step-by-step/>



### **All types of circle skirts**

Interactive tutorial for drafting quarter, half, three-quarter, full, one-and-half, and double circle skirts.

<https://anicka.design/online-circle-skirt-calculator/>